



TILT & TURN WINDOW HANDLE



PRODUCT DESCRIPTION

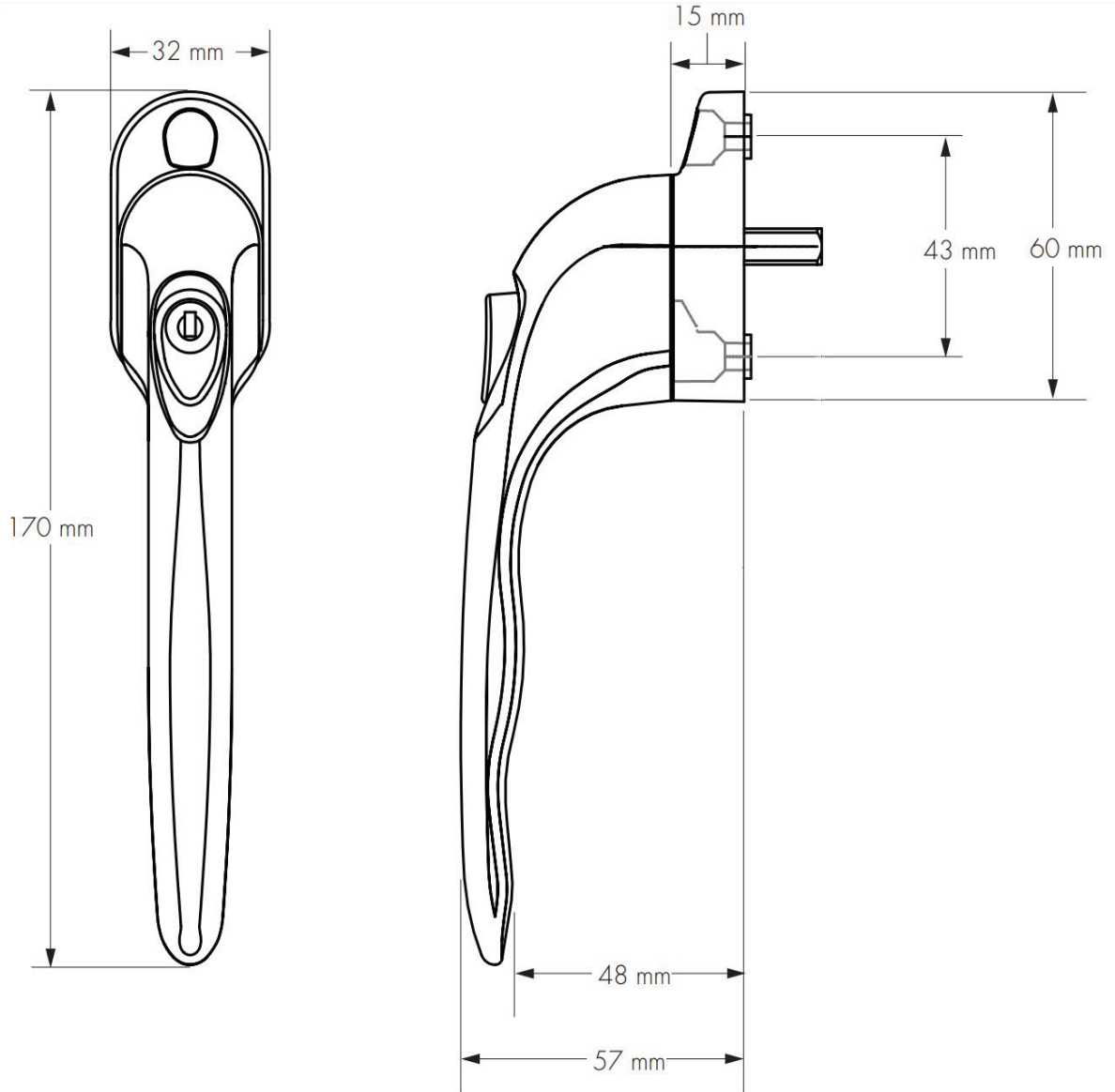
Suitable for all uPVC tilt & turn window systems, the Endurance Tilt & Turn handle can accommodate both tilt first and turn first applications. This handle features an attractive design and comes with a 10 year guarantee.

FEATURES & BENEFITS

- Elegant ergonomic design with superior aesthetics
 - Part of the fully suited Endurance Range
 - Push to open / Key lockable
- Supplied with screws, key & non-locking inserts
- Ten finishes available; White, Black, Chrome, Gold, Satin Silver, Flint, Tungsten, Anthracite Grey, Antique Black and Cream
 - 10 Year mechanical & surface finish guarantee
 - BBA Approved
 - Coating tested to BS.EN: 2007 Grade 4



TILT & TURN WINDOW HANDLE



PACKAGING

Individually bagged with screws, covercap, key and non-locking insert. Inner boxes of 10, and outer boxes of 40.

MAINTENANCE

To maintain a high quality appearance and operation we recommend that all external hardware is cleaned routinely, and moving parts are lightly lubricated a minimum of twice a year. Products used within a 1 mile radius of coastal areas, building sites or large industrial areas, more regular cleaning will be required to prevent build up of corrosive contaminants.